



Setting a Higher Standard in Solar Pool Heating

“HEAT YOUR POOL WITH SUNSHINE”

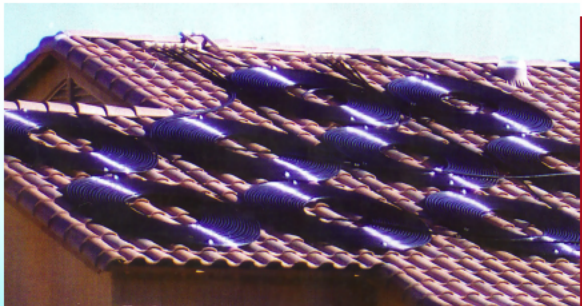
Solar pool heating is the most cost effective way to go solar. As a free source of energy, solar pool heating systems are highly efficient, virtually no cost and environmentally friendly. Swimming pools provide many benefits-relaxation, recreation, exercise and physical therapy. Your pool is an investment, a solar pool heater can not only save you money and extend your swimming season, but it turns your pool into an asset that you can use and enjoy more frequently.

EXTEND YOUR SWIMMING SEASON

Dive into warm water using the power of the sun. The uniquely designed Solar Spiral™ pool and spa heating system extends your swimming season allowing you to enjoy your pool longer in the spring and summer months. During winter months a solar heater can effectively double the unheated swim season, and when used as a pre-heater can reduce the amount of gas needed to heat a pool for year-round swimming by as much as 40-60%.

SOLARTECH CAN GO ANYWHERE

No pool is too big and no spa is too small, the SolarTech system can go just about anywhere. This allows the SolarTech system to be installed without the old limits of solar. Our light-weight, freeze resistant, leak proof solar collectors can be installed on patio covers, flat or tile roofs, even on the ground. And it's a home improvement that adds to the value of your home.



tile roof mount



ground mount



flat roof mount

UNSURPASSED DURABILITY

15-year warranty, including freeze damage to the collector.



proudly made in the USA

US Patent 8,746,234

www.solarheatmypool.com

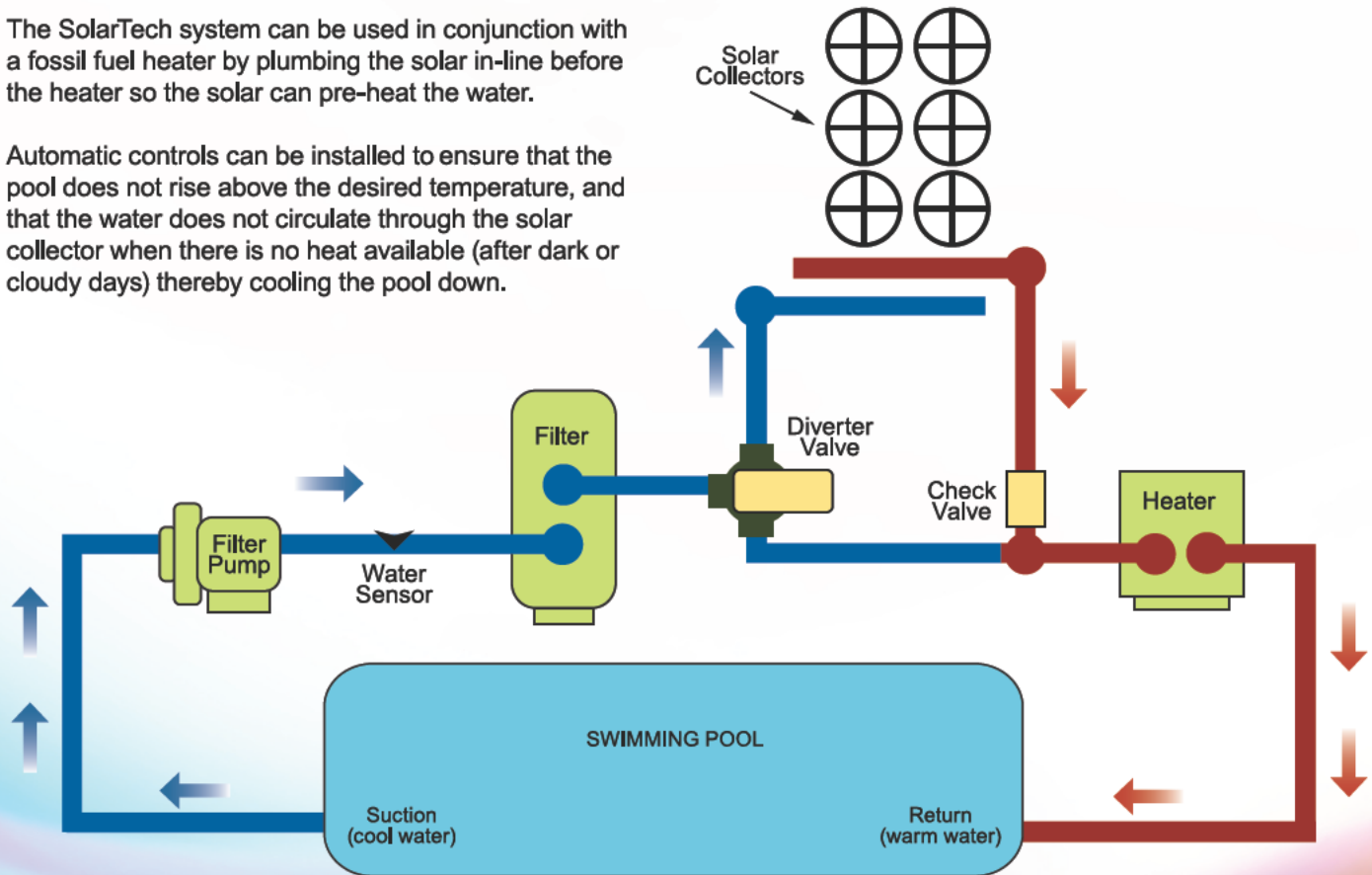


HOW IT WORKS

Water from the pool is diverted through the solar collectors where the water is heated and returned to the pool. Most systems can be plumbed through the existing filtration system; thus, requiring no additional energy to work.

The SolarTech system can be used in conjunction with a fossil fuel heater by plumbing the solar in-line before the heater so the solar can pre-heat the water.

Automatic controls can be installed to ensure that the pool does not rise above the desired temperature, and that the water does not circulate through the solar collector when there is no heat available (after dark or cloudy days) thereby cooling the pool down.



SOLARTECH TECHNICAL DATA

Panel Weight	28 lb dry
	75 lb wet
Panel Size	34.76 sq ft
Aperture	31.10 sq ft
Diameter	6.5 ft
Pressure Rating	100 lb
U.V. Resistance	Extreme
Break Temperature	-180° F
Vicat Softening Temperature	+225° F
Construction	3/4" Polyethylene

Distributed by